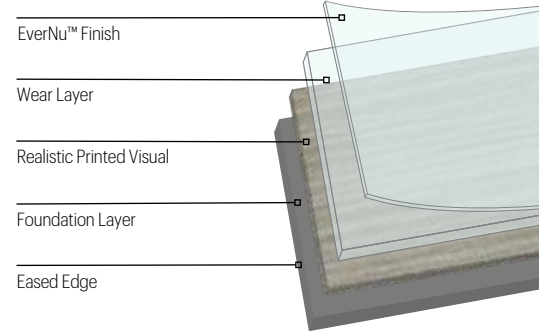


Product Information

- Construction** - Solid Vinyl Tile (Luxury Vinyl Tile / LVT)
- International Specifications** - ASTM F1700, Class III, Type B embossed surface
- Overall Thickness** - 0.100 in. (2.5 mm) | 0.178 (4.5 mm)
- Wear Layer Thickness** - 0.020 in. (0.5 mm)
- Factory Finish** - EverNu™ Finish
- Installation** - S-319, S-995, S1000, S-730 for 2.5mm wall application
- Maintenance Options** - No Polish - No Buff, Polish Optional



Packaging

Size	Pieces per Carton/Coverage	Shipping Weight per Carton
6 in. x 48 in. (152 mm x 1219 mm)	18 / (36 sq. ft.) 3.34 m ²	39 lbs. (17.69 kg)
9 in. x 48 in. (228 mm x 1219 mm)	12 / (36 sq. ft.) 3.34 m ²	39 lbs. (17.69 kg)
12 in. x 24 in. (304mm x 609mm)	27 / (54 sq. ft.) 5.02m ²	58 lbs. (24.73 kg)
18 in. x 18 in. (457 mm x 457 mm)	16 / (36 sq. ft.) 3.34 m ²	39 lbs. (17.73 kg)
18 in. x 36 in. (457mm x 914mm)	12 / (54 sq. ft.) 5.02 m ²	39 lbs. (17.73 kg)

Testing

ASTM F1700			
Performance	Test Method	Requirement	Performance vs. Requirement
Thickness	ASTM F386	Nominal ±0.005 in.	Meets
Wear Layer Thickness	ASTM F410	0.020 in. (0.5 mm) minimum for Commercial Use	Meets
Size	ASTM F2421	± 0.016 in. per linear foot	Meets
Squareness	ASTM F2421	0.010 in. maximum	Meets
Residual Indentation	ASTM F1914	Average less than 8%	Meets
Chemical Resistance	ASTM F925	No more than slight change in surface dulling, attack or staining	Meets
Resistance to Heat	ASTM F1514	ΔE < 8 avg., max	Meets
Resistance to Light	ASTM F1515	ΔE < 8 avg., max	Meets
Additional Testing			
Static Load Resistance	ASTM F970*	≤ 0.005 in.	3000 psi
Fire Test Data – Flame Spread	ASTM E648	0.45 W/cm ² or more Class 1	Meets
Fire Test Data – Smoke Evolution	ASTM E662	450 or less	Meets
Fire Test Data – Steiner Tunnel (2.5 mm only)	ASTM E84	N/A	Class A
Fire Test Data - Canada (2.5 mm only)	CAN/ULC S-102.2	Use dependent	Flame Spread - 5 Smoke Developed - 75
ADA Standards for Accessible Design	Chapter 3, Section 302.1	Floor surfaces shall be stable, firm and slip resistant	Meets
Dimensional Stability	Internal	≤ 0.018 in. per linear ft. MD ≤ 0.012 in. per lin. ft. AMD	Meets
Static Coefficient of Friction**	ASTM D2047/UL 410	≥ 0.5	Meets
Acoustics	ASTM E492 (IIC) ASTM E90 (STC) ASTM E2179 (DELTA IIC)	International Building Code (IIC ≥50) International Building Code (STC ≥50) Sound Transmission Reduction	6 in. concrete no ceiling with S-1840 Quiet Comfort Luxury Flooring Underlayment 2.5 mm: IIC-53, STC-51, Delta IIC-22 4.5mm: IIC-56, STC-53, Delta IIC-25



2.5 MM & 4.5 MM LUXURY FLOORING

Nod to Nature® USA

Sustainability

WELL v1 Feature

Air	Feature 04 - VOC Reduction
	Feature 11 - Fundamental Material Safety
	Feature 25 - Toxic Material Reduction
Mind	Feature 97 - Material Transparency
	Feature 88 (Part 2) Biophilia I - Qualitative
	Feature 99 - Beauty and Design II

Nod to Nature USA

✓
✓
✓
✓
✓
✓

Contribution

Tested and third party certified by FloorScore® as complying with CDPH v1.2
Product is free of asbestos and added lead (Part 1)
Free of flame retardants (Part 2) and phthalates (Part 3)
Readily available Health Product Declaration® (HPD) to 1000 ppm
Products available that incorporate nature patterns
Patterns and colors to aid in wayfinding and spatial familiarity (Part 3)

WELL v2 Feature

Air	Feature X12 - Short Term Emission Control
	Feature X11 Long-Term Emission Control
	Feature X01 Fundamental Material Precautions
	Feature X10 Volatile Organic Compound
Materials	Feature X14 Material Transparency
	Feature M02 Access to Nature
Mind	Feature C13 (Part 2) Accessibility and Universal Design

Nod to Nature USA

✓
✓
✓
✓
✓
✓
✓

Contribution

Adhesives associated with product are tested and third party certified by FloorScore as complying with CDPH v1.2
Flooring is tested and third party certified by FloorScore as complying with CDPH v1.2
Product is free of asbestos
Free of flame retardants (Part 2) and phthalates (Part 3)
Readily available Health Product Declaration (HPD) to 1000 ppm
Products available that incorporate nature patterns
Patterns and colors to aid in wayfinding and spatial familiarity

LEED® v4.1

BPDO - EPD
BPDO - Material Ingredient
BPDO - Sourcing
Location of Manufacturer
Low Emitting Flooring
Low Emitting Adhesives
SCAQMD #1168 Compliant.
Adhesives meet <50 g/L requirement

Nod to Nature USA

Product Specific
HPD
29% pre-consumer recycled content
USA
Tested and third party certified by FloorScore as complying with CDPH v1.2
Tested and compliant to CDPH v1.2; Methylene Chloride and Perchloroethylene not intentionally added; FloorScore Certified
S-319 Roll Strong - 0 g/L
S-995 - 0 g/L
S-1000 - 0.1 g/L

Carbon Footprint

Global Warming Potential, excluding Biogenic Carbon Raw Materials (A1) through Production (A3)
--

Nod to Nature USA

0.64 Kg CO ² eq. / square foot (6.88 Kg CO ² eq. / square meter)
--

Limited Warranty

20-year Commercial Warranty when installed in strict accordance with the detailed instructions.

Visit AHFContract.com

for complete Product, Technical, Adhesives, Installation & Maintenance recommendations.

AC-1015-1025

©2025 FloorScore® is a registered trademark of the Resilient Floor Covering Institute. LEED® is a registered trademark of the United States Green Building Council. All other trademarks are owned by AHF, LLC or its subsidiaries or affiliates.

*Testing at loads above 250 psi is outside the scope of the test method. Since testing is conducted on uninstalled flooring, results do not consider the performance of the adhesive, underlayment, or subfloor. These test results are not an indicator of the installed flooring system performance. **Using the James Machine as described in D2047 and as directed in UL 410 for floor covering materials (FCM) using a leather foot under dry conditions. The application of site-applied floor sealers, polishes and other types of finishes routinely used to maintain resilient flooring materials will change the walking surface and consequently the SCOF value.

